
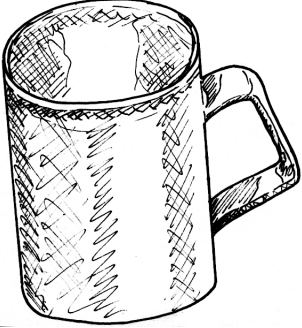
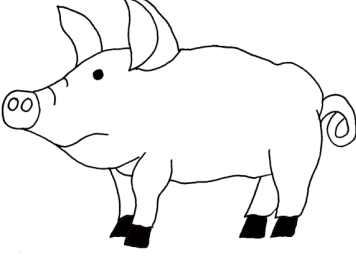
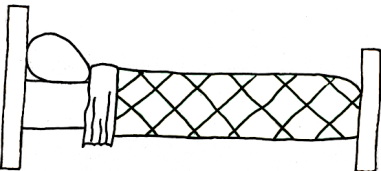
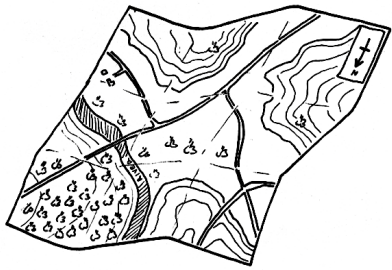



CVC Words - Mixed (1)

Name: _____

Date: _____

- Fill in the missing sound in each word...

		
d _ _ g	_ _ u p	_ _ _ g
		
_ _ _ d	m _ _ p	p _ _ _

- Choose a sound to complete each word.

m u _ _	h _ _ t	_ _ o g
_ _ a p	r _ _ d	d o _ _
h _ _ p	_ _ u n	p i _ _