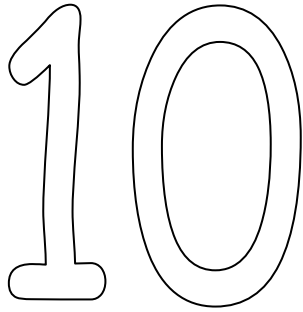


CVC Words - Final Sounds (2)

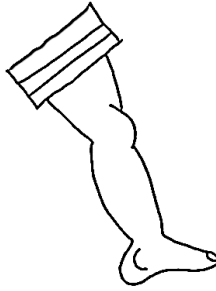
Name: _____

Date: _____

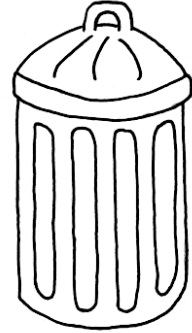
- Fill in the missing sound in each word...



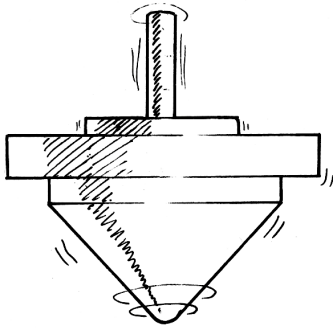
te__



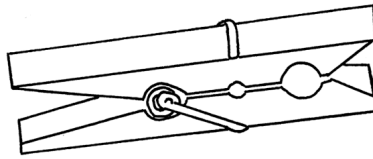
le__



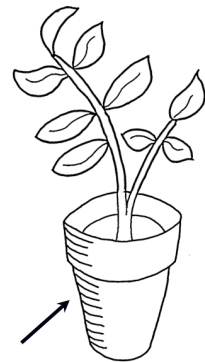
bi__



to__



pe__



po__

- Choose a final sound to make a word...

ca__

lo__

ru__

si__

bi__

me__

ve__

ha__

we__